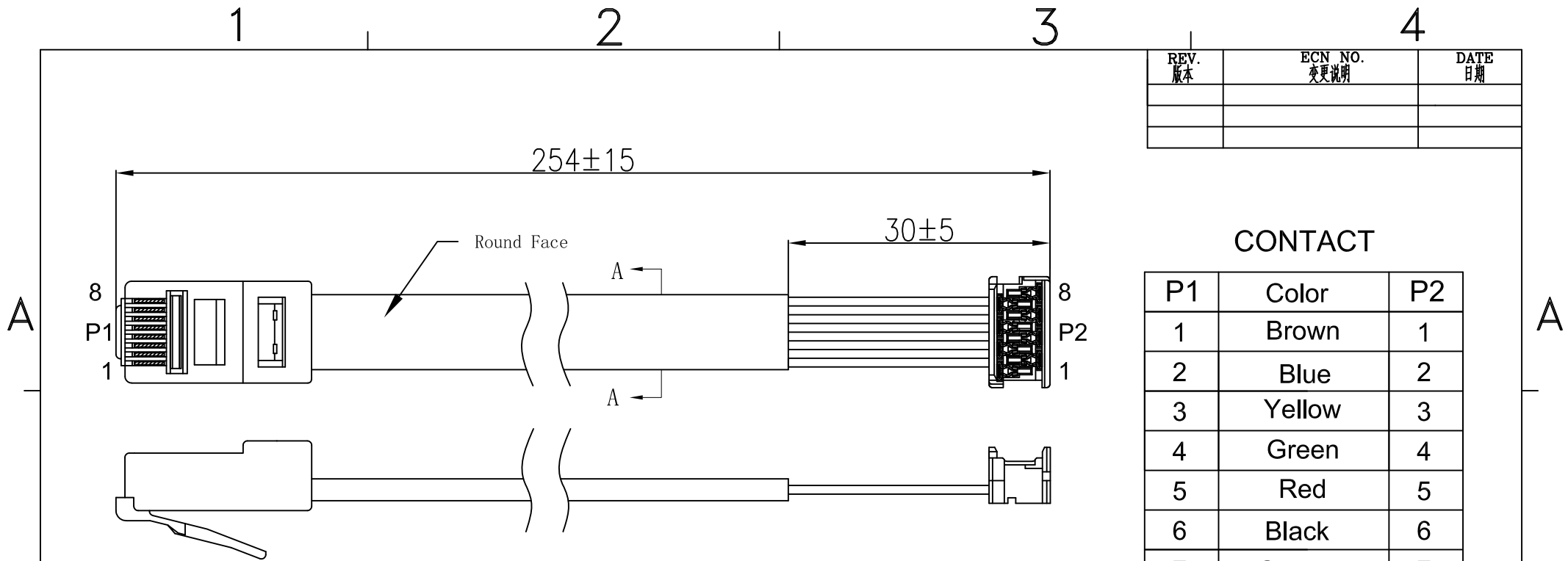


REV. 版本	ECN NO. 变更说明	DATE 日期



CONTACT

P1	Color	P2
1	Brown	1
2	Blue	2
3	Yellow	3
4	Green	4
5	Red	5
6	Black	6
7	Orange	7
8	Grey	8

SPECIFICATION

MATERIAL:

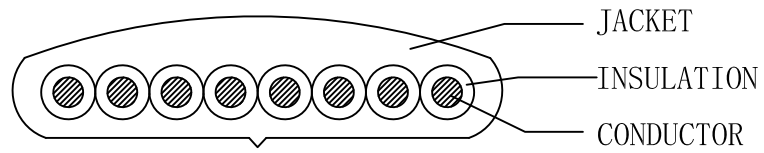
- 1. Modular Plug: 8P8C G/F PC;
- 2. 1.27mm IDC, color white;
- 3. Cable: UL20251 26AWG (7/0.16B)*8C PVC Black;
Print: UL Print

ELECTRICAL:

- 1 Open, Short, Miswire 100% test;
- 2 Insulation resistance: 20MΩmin/DC 500V;
- 3 Contact resistance: 5Ωmax;
- 4. Cable TL Plug Tensile Strength: 7.7Kg Min;

ENVIRONMENTAL:

- 1. Operation temperature: -10℃~+60℃;
- 2. Storage temperature: -10℃~+40℃
relative humidity <80%.



SECTION A-A
SCALE 4:1

Coorle Technology				TOLERANCES 公差		Material: 材质		Designed: 设计		NAME: 名称		TEL CABLE 8C+Plug+IDC 8P L=254MM	
				00~15 ±0.10		N/A		Lillia		Checked: 审核		DWG NO. 图号	
SCALE 比例		UNIT 单位		CUSTOMER: 客户		Finish: 电镀		Approved: 核准		PART NO. 料号		C080830003	
A4 SIZE		1:1 mm		MODEL NO: 料号		ANGLES: ±1°		SHEET 第 页 共 页		Michael		01	